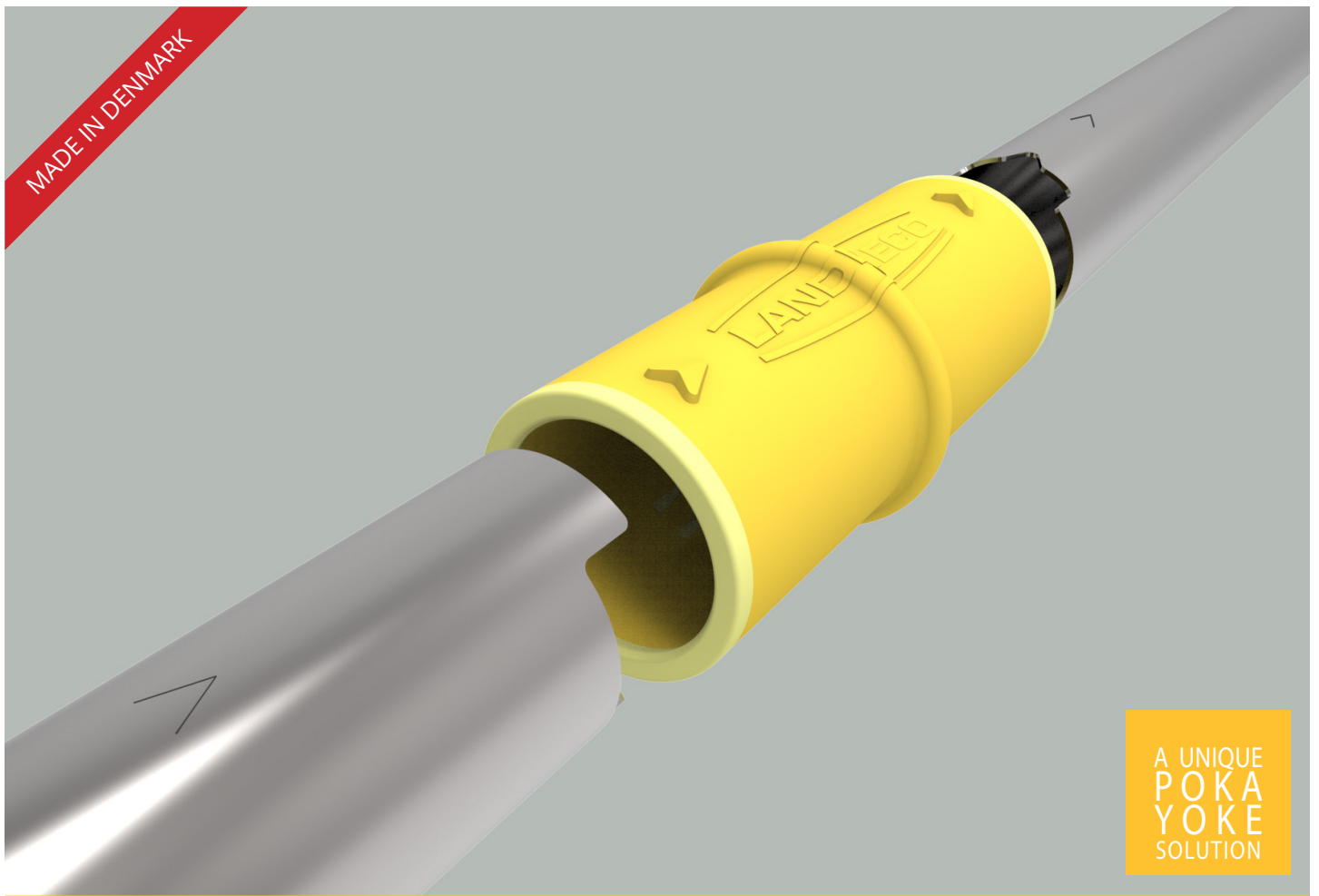


# S

## SAFE CONNECTOR



## GROUND-BREAKING PRODUCT: SAFE CONNECTOR

LANDMECO has patented a product, ensuring that all the feed lines in your house are straight, that your pipes are not turning and on top of it all, that you can actually mount the pipes without any tools and without any risk of incorrect installation.

It sounds too good to be true, we know, but it is not. All these great features are gathered in one amazing product. We call it:

The Safe Connector.



# UNIQUE FEATURES OF THE SAFE CONNECTOR

## Ensures aligned holes in the feed line

The 1,25 mm (0.0492 inch) thick pipes have been laser cut in a unique way which ensures, that when two pipe ends are joined, they are fastened. The Safe Connector works as a fixation.

When the pipes are clicked into the connector, the pipes are fixed and cannot turn. This ensures aligned feed holes in the whole feed line.

## The feed line follows the floor

As the Safe Connector permits a 1° flexibility it ensures a far greater assurance of all pans following the floor, allowing all chicks the best possible feed access at all times.

## Easy to mount

The Safe Connector can be mounted with-

out any tools, and it has been designed so that it is NOT possible to mount it wrongly. You simply click the pipe into the connector with all arrows in the same direction.

## The pipe can easily be dismantled

If needed, it is very easy to dismount the pipe from the Safe Connector. You simply release the lock pins.

## Very strong material

The Safe Connector has been produced in an extremely strong and durable material which is often used in the car industry when replacing steel parts with plastic parts.

## High standard of hygiene

As the Safe Connector blocks all access, it helps to ensure that the material inside the

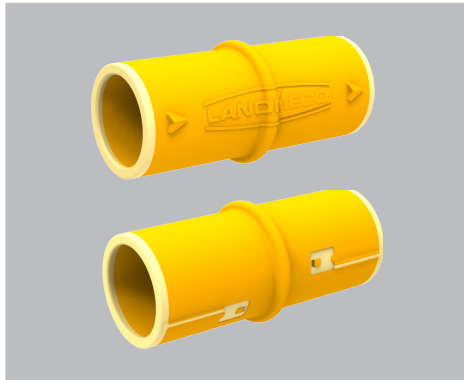
pipe cannot be exposed to contamination, not even during high pressure flushing of the feeding system.

## 3 years of development

It took LANDMECO 3 years to develop the Safe Connector. To make the ideal clever design which prevents incorrect operation by the user, to find the right material and to ensure durability toward cleaning chemicals. Safe Connector: A unique Poka-yoke\* solution.

## Tested more than 1 year

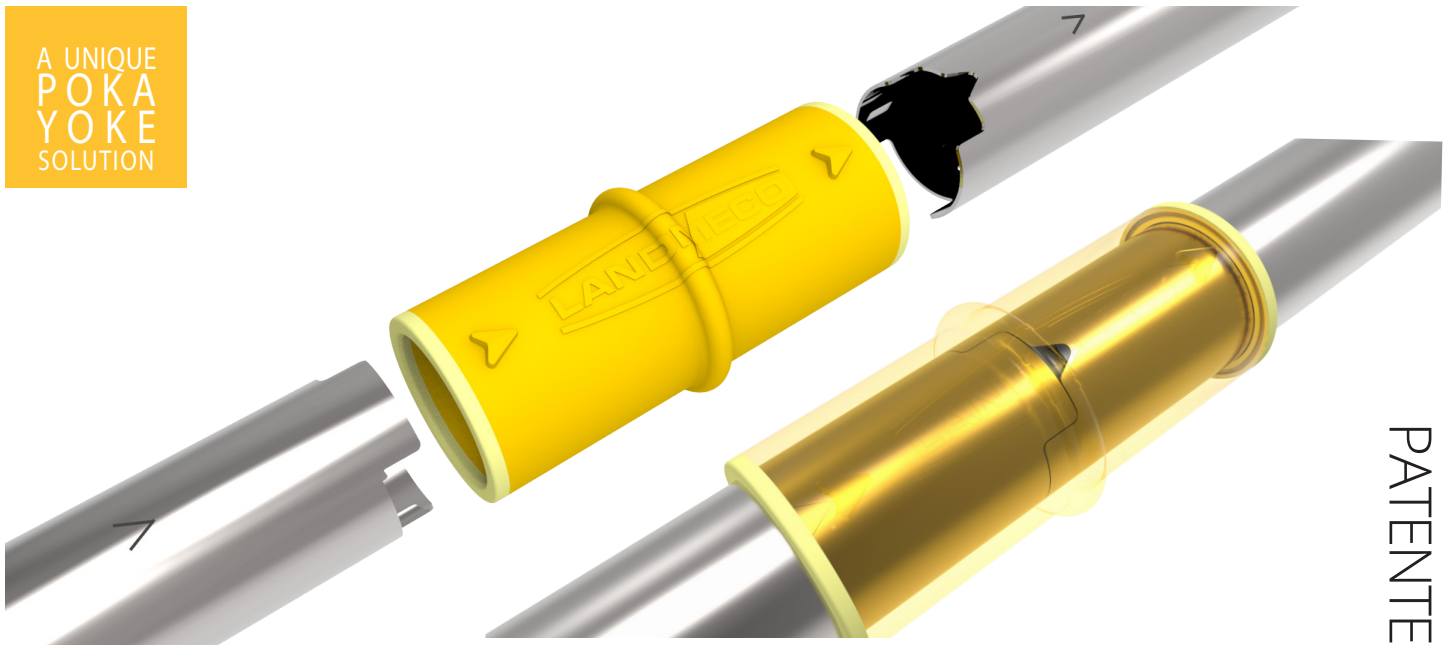
We have tested the Safe Connector for more than 1 year, and during the test period both functionality, durability and design have proven itself to be impeccable.



\*Poka-Yoke= mistake-proofing



A UNIQUE  
POKA  
YOKE  
SOLUTION



DEALER

PATENTED