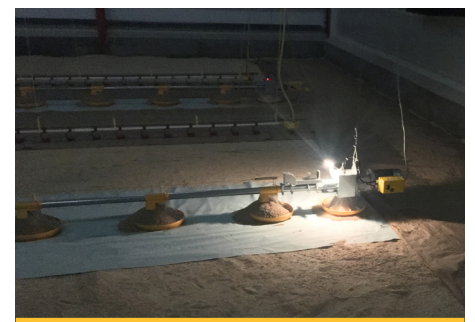


ILLUMINATOR



ENCOURAGING MAXIMUM FEED CONSUMPTION

The illuminator highlights the feeding pan and a concentrated area around the control pan with a broad-spectrum light. This attracts the birds to the control pan and encourages maximum feed consumption. It leads to optimum filling of all pans in the system. As much as 240° of the last two pans are illuminated at minimum 10 lux.

The product consists of a LED lamp, bracket and needed accessories to complete the installation.



LANDMECO

POULTRY SOLUTIONS EMPOWERED BY KNOWLEDGE

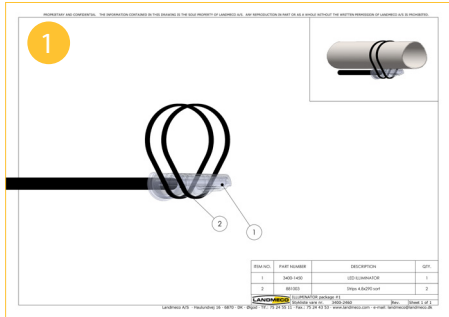
UNIQUE FEATURES OF THE ILLUMINATOR

- Functionally & visually designed to be an integrated part of the line.
- Easy to connect to the control box in new or existing installations.
- Low power consumption.
- Very easy to clean & disinfect, with no hidden cavities or 'dead spots'.
- The Illuminator causes no restriction to the movement of birds under or around the feeding pipe.
- The power of the Illuminator is balanced in intensity, in order only to attract the birds in proximity of the control pan, causing limited eye stress due to excessive intensity.
- Comes completely ready to install with bracket, cable ties and gland.
- Wide beam angle - 180 degrees due to the clear housing design.

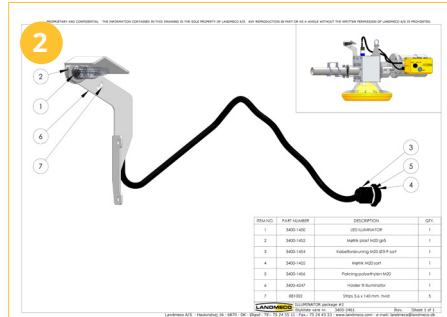


PACKAGES

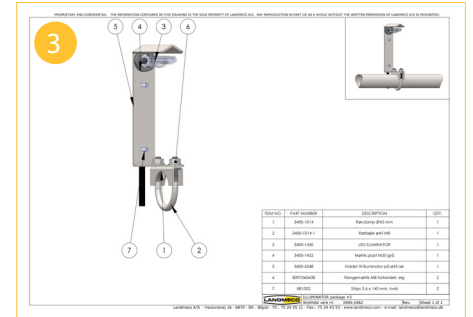
3400-2460



3400-2461



3400-2462

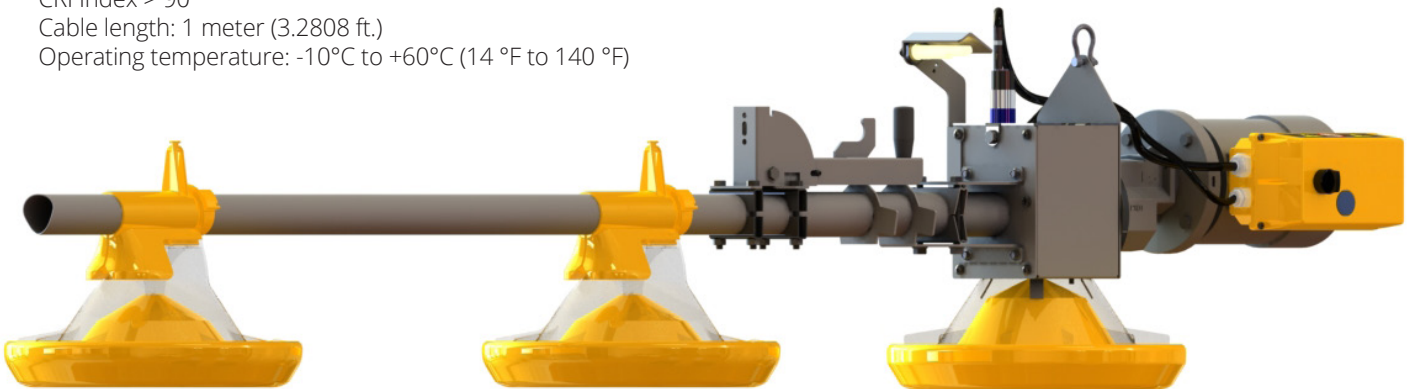


TECHNICAL DATA

- Voltage: 90-277 AC, 50/60Hz
- Power: 2W / 200 lumens
- Protection level: IP67 / NEMA 6
- Life time: Typical 50.000 hours, 1 year warranty
- CRI Index > 90
- Cable length: 1 meter (3.2808 ft.)
- Operating temperature: -10°C to +60°C (14 °F to 140 °F)

NOTE

All connection of electrical parts must be carried out by a certified electrician.



LIGHT >>> CONTROL PAN >>> MAX FEED CONSUMPTION >>> OPTIMUM FILLING OF ALL PANS

DEALER